



Series C62 Filter & High Ripple Current Capacitors

Features: Flame retardant to UL94, extended metallized film, dry connection, polyester tape wrapping with resin sealing, lugs leads, heavy ripple current, high stability, low losses, self healing.

Applications: Input and output filtering in UPS, SMPSs, inverter, welding machine power, high frequency, high ripple current applications.

Specifications

1) Reference Standards

GB/T 17702 IEC 61071

2) Operating Temperature

-40°C to 85°C.

3) Capacitance

1.0 μ F to 50 μ F.

4) Rated Voltage

400 VDC to 1200 VDC
(250 VAC to 500 VAC)

5) Tolerance

$\pm 5\%$ $\pm 10\%$

6) Test Voltage Between Terminals

1.6UN (DC) 10s 25°C \pm 5°C.

7) Test Voltage Between Terminals and Case

3000 V 50Hz 60s, 25°C \pm 5°C.

8) Dissipation Factor

$\text{tg}\delta \leq 10 \times 10^{-4}$ at 25°C \pm 5°C, 100 Hz.

9) Insulation Resistance

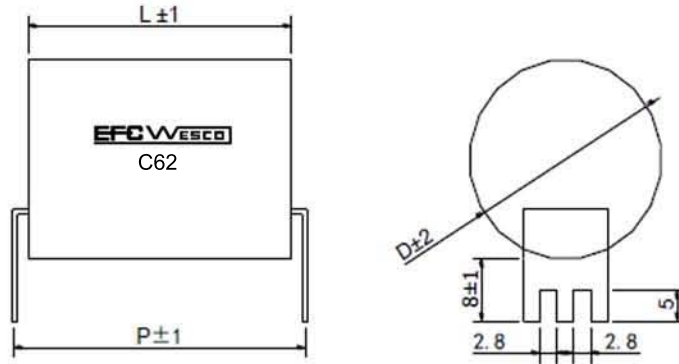
C-R ≥ 5000 S, at 100 VDC, 25°C \pm 5°C, 60s

10) Life Expectancy

200000h at rated voltage and 70°C

C62 With Resin Sealing

Filter & High Ripple Current Capacitors

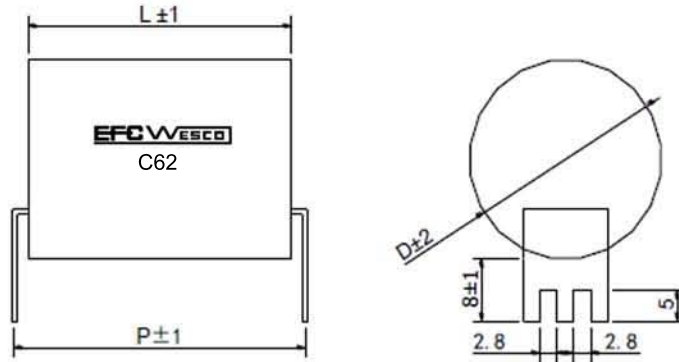


Dimensions and Ratings

Cap.	400 VDC (250 VAC)					
μF	Part #	Dimension (mm)		dv/dt V/μs	I _{rms} max (A)	ESR (mΩ)
		L	D			
3	C62SC401305KT**#	37	21	74	9	8.5
5	C62SC401505KT**#	37	26	74	13	5.8
10	C62SC401106KT**#	44	30	60	16	5.4
15	C62SC401156KT**#	44	36	60	22	4.0
20	C62SC401206KT**#	44	41	60	27	3.5
25	C62SC401256KT**#	44	47	60	32	2.6
30	C62SC401306KT**#	60	41	30	27	4.0
40	C62SC401406KT**#	60	48	30	34	3.1
50	C62SC401506KT**#	60	53	30	40	2.5

C62 With Resin Sealing

Filter & High Ripple Current Capacitors



Dimensions and Ratings

Cap.	800 VDC (400 VAC)					
μF	Part #	Dimension (mm)		I _{peak} (A)	I _{rms max} (A)	ESR (mΩ)
		L	D			
2	C62SC801205KT**#	37	22	110	10	11.0
3	C62SC801305KT**#	37	27	110	14	7.5
5	C62SC801505KT**#	37	34	110	16	6.0
10	C62SC801106KT**#	44	37	70	22	4.0
15	C62SC801156KT**#	44	45	70	31	3.0
20	C62SC801206KT**#	60	45	50	30	3.5
25	C62SC801256KT**#	60	50	50	35	3.0
30	C62SC801306KT**#	60	55	50	40	2.5
40	C62SC801406KT**#	60	63	50	50	2.3

Cap.	1200 VDC (500 VAC)					
μF	Part #	Dimension (mm)		I _{peak} (A)	I _{rms max} (A)	ESR (mΩ)
		L	D			
1	C62SC122105KT**#	37	23	190	9	12.0
2	C62SC122205KT**#	37	32	190	15	6.5
3	C62SC122305KT**#	44	32	120	17	8.5
5	C62SC122505KT**#	44	41	120	23	5.5
10	C62SC122106KT**#	60	48	80	29	5.3
15	C62SC122156KT**#	60	58	80	38	4.0
20	C62SC122206KT**#	60	67	80	47	3.2