



Series C54

DC-Link Polypropylene Capacitors

Features: Flame retardant to UL94, extended metalized film, dry connection, aluminum case with resin sealing, tinned copper nut terminals, large capacity, small volume, high ripple current capability, low temperature rise, good heat dissipation, long service life.

Applications: Induction heating equipment in the DC bus bar support, smoothing filter circuit.

Specifications

1) Operating Temperature

-40°C to 85°C.

2) Capacitance

20 μ F to 45 μ F

3) Rated Voltage

800 VDC.

4) Tolerance

\pm 5% or \pm 10%.

5) Test Voltage Between Terminals and Case

3000V 50Hz 60s, 25°C \pm 5°C.

6) Test Voltage Between Terminals

1.5 rated DC voltage 10s 25°C \pm 5°C.

7) Dissipation Factor

0.2% max at 25°C \pm 5°C, 1kHz

8) Insulation Resistance

5000 M Ω · μ F min, at 100 VDC, 25°C \pm 5°C, 60s

9) Life Expectancy

200000h at rated DC voltage and 70°C.

10) Reference Standards

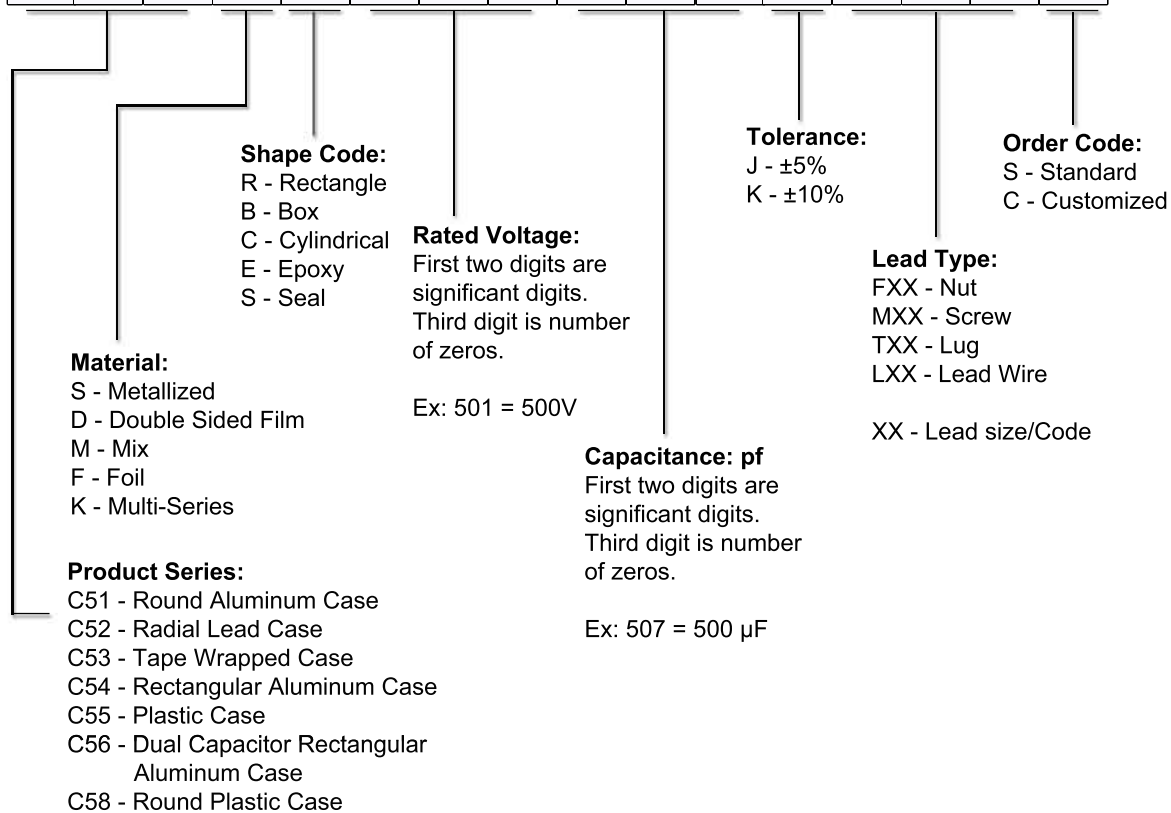
GB/T 17702, IEC 61071

Surge Voltage Limits

Surge Voltage (VDC)	Max Duration
1.1 x Rated	30% of service period
1.15 x Rated	30 min./day
1.2 x Rated	5 min./day
1.3 x Rated	1 min./day
1.5 x Rated	100mS/day; no more than 1000 times

DC Link Nomenclature

C 5 1 S C 5 0 1 5 0 7 K T X X C



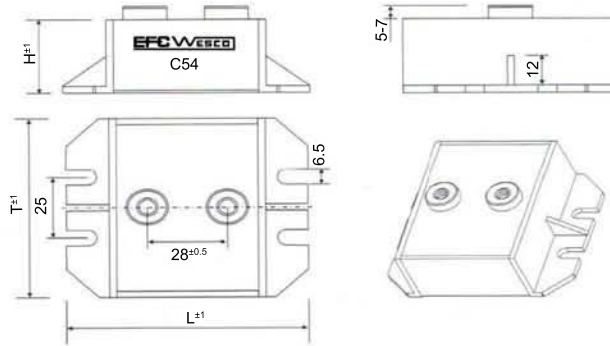


Please consult factory for special requirements, including non-standard values and sizes

C54

Rectangular Aluminum Case

DC Link Polypropylene Capacitors



Dimensions and Ratings

Cap.	800 VDC								
μF	Part #	kW	Dimension (mm)			P mm	dv/dt V/μs	I _{rms} Max A	Stud Mounting
			L	D	H				
20	C54SR801206KF**#	12~20	93	65	30	28	50	50	2XM6
30	C54SR801306KF**#	20~30	93	75	30	28	50	60	2XM6
45	C54SR801456KF**#	30~35	93	75	45	28	50	75	2XM6